

# OPERATION MANUAL

## Loop Powered Indicator Pressure Transmitter

Thank You for selecting **ABUSTEK** products! before operating this instrument, please read this manual carefully and fully understand its contents. In case of any problems, please contact our sales Deptt. or distributors from whom the instrument has been supplied. The manual contents is subject to change without prior notice.

### Introduction

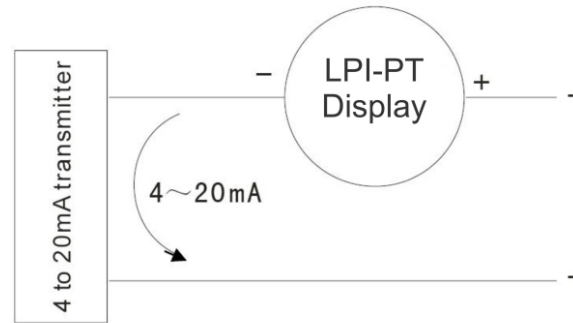


The LPI-PT is a microprocessor controlled loop powered display for any 4 ~ 20 mA standard signal. It does not require its own separate voltage source as it is supplied directly from the measuring current loop.

The measured value is displayed on a 4-digit LCD with a wide max. display range of -1999 to +9999 digits.

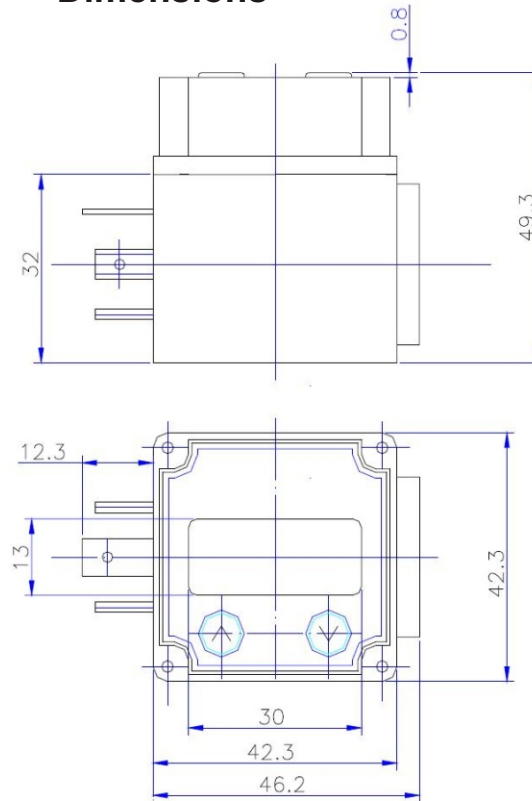
The operating range of the display device can be directly adjusted to the transmitter without any accessories being required. Simply enter the maximum and minimum measuring range limits and the decimal point position.

### Connections



Electrical connections		DIN 43650
2-wire system	Supply +	1
	Supply -	2
	Ground	Ground Contact

### Dimensions



All Dimensions in mm

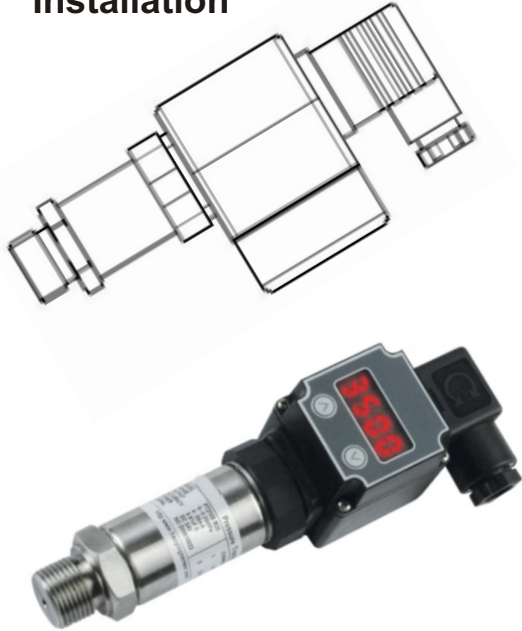
### Features

1. 2-wire, no additional power supply required, just as traditional LED display.
2. Scale easily adjustable to transmitter range.
3. Option: with backlight, can be visible in the dark environment.
4. 16-bit ADC MCU inside.
5. Large display range of -1.9.9.9. ~ 9.9.9.9. LCD digits.
6. LED can work at 3mA.
7. Two OPTO switch outputs. (Optional)
8. Low circuit voltage drop.

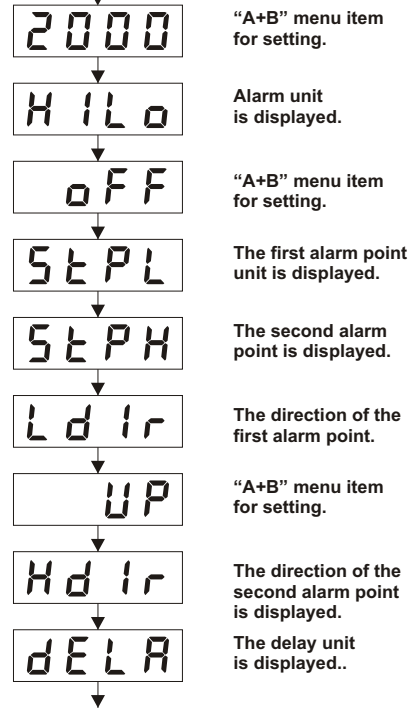
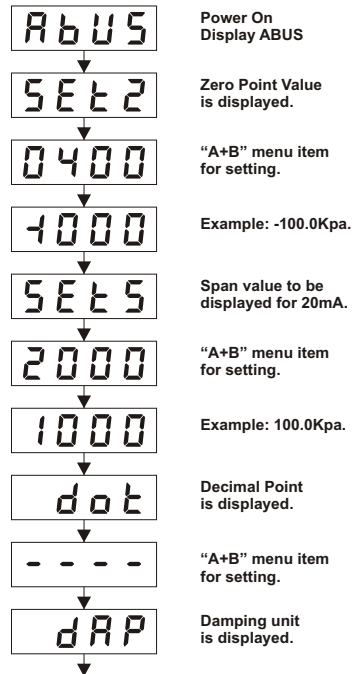
### Specifications

<b>Analogue signal:</b>	2 wire-system:	4 ~ 20mA
<b>Supply:</b>	Supply:	Not required, 4 ~ 20mA loop powered.
	Voltage Drop:	≤ 4.2V.
<b>Electrical Protection:</b>		
	Short-circuit protection:	Permanent
	Reverse polarity protection:	Maximum current, approx. 200mA
<b>Display:</b>	Type:	4-digit, red LED display, digit height 7mm, digit width 4.85mm.
	Range:	-1.9.9.9. ~ 9.9.9.9.
	Accuracy:	0.1% ±1 digit
	Digital Damping:	0 to 20s (step 0.5s)
<b>Temperature:</b>	Operation:	-20 ~ 70°C
	Storage:	-30 ~ 85°C
<b>Materials:</b>	Display & Housing:	ABS
<b>Miscellaneous:</b>	Weight:	Approx. 80g
	Ingress Protection:	IP 65
	Colour of Housing:	Black, Orange (option)

## Installation



## Configuration



Note: In the above process, "A" denotes the up button, "B" denotes the down button, and "A+B" denotes pressing the up button and the down button at the same time.

## Ordering Details

TYPE		DESCRIPTION	
Product	LPI-PT		Loop Power Indicator for Pressure Transmitter
Transmitter Output		D	4~20 mA dc
Alarm		N	No Alarm
		1	1-Alarm
		2	2-Alarm
Accessories		N	None
		Y	Screw and Packing Gasket

Example: LPI-PT > D > N > N

## Limited Warranty

The products are warranted to be free from defects in materials and workmanship for a period of one (1) year from the date of shipment, subject to the following terms and conditions: Without charge, they will repair, replace, or refund the purchase price at option products found to be defective in materials or workmanship within the warranty period; provided that:

- the product has not been subjected to abuse, neglect, accident, incorrect wiring not our own, improper installation or servicing, or use in violation of labels or instructions;
- the product has not been repaired or altered by anyone except us;
- the maximum ratings label and serial number or date code have not been removed, defaced, or otherwise changed;
- examination discloses, in the judgment of us, the defect in materials or workmanship developed under normal installation, use and service; and
- Our system is notified in advance of and the product is returned to us transportation prepaid before expiration of the warranty period.

THIS EXPRESS LIMITED WARRANTY IS IN LIEU OF AND EXCLUDES ALL OTHER REPRESENTATIONS MADE BY ADVERTISEMENTS OR BY AGENTS AND ALL OTHER WARRANTIES, BOTH EXPRESS AND IMPLIED. THERE ARE NO IMPLIED WARRANTIES OF MERCHANTABILITY OR OF FITNESS FOR A PARTICULAR PURPOSE FOR GOODS COVERED HEREUNDER.

**Authorised Distributor :**